

Timer
ZA2 - Delay-on operate with 2 Changeovers
 17.5mm housing



Application

Time control

Description

The **ZA2 Delay-on operate timer** offers 16 different timing intervals in one unit. The timing intervals can be adjusted with DIP switches on the front panel of the relay. The timer can operate on either 230V AC using terminals A1 and A2 or 24V DC using terminals A3 and A2. The green LED indicates the connection to the power supply.

Function

The timing begins with the connection of the power supply. After the set time has elapsed, the output relay is energized. The red LED indicates the working position of the output contact. If the supply voltage is disconnected, the output relay resets and the elapsed time is cancelled. If the supply voltage is disconnected during the reset time, the timer returns to its original state.

Options

Other timing ranges and voltages available upon request.

Part number

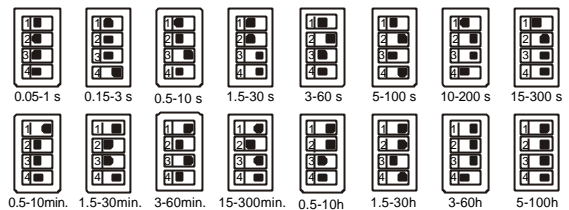
011207 ZA2 Delay-on operate
16 Timing ranges/ 2 Changeovers

Timing ranges

16 timing ranges with adjustable DIP switches

0.05 – 1 s	0.5 – 10 min
0.15 – 3 s	1.5 – 30 min
0.5 – 10 s	3 – 60 min
1.5 – 30 s	15 – 300 min
3 – 60 s	0.5 – 10 h
5 – 100 s	1.5 – 30 h
10 – 200 s	3 – 60 h
15 – 300 s	5 – 100 h

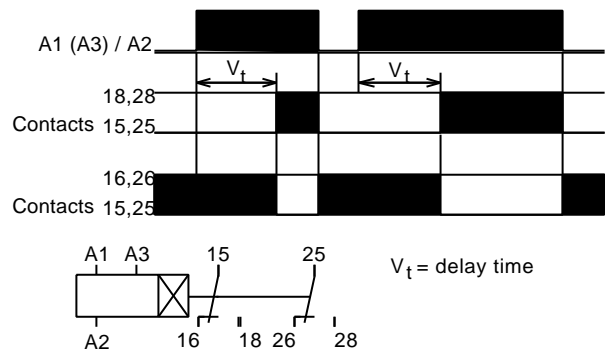
DIP switch adjustments



Approvals



Function diagram



Timer
ZA2 - Delay-on operate with 2 Changeovers
 17.5mm housing

Technical data

Supply

Supply voltage A1 / A2: 230V AC -15 / +10%
 A3 / A2: 24V AC/DC -15 / +10%

Frequency range: 0 / 50 ... 60Hz

Power consumption: approx. 1.5W with DC
 approx. 6VA with AC

Operating mode: continuous

Supply voltage influence: < 0.01% over voltage range

Temperature influence: < 0.01%/°C

Recovery time: < 100ms

Repetitive accuracy: ± 0.2%

Operation indicators

Supply voltage: LED, green

Relay in working position: LED, red

Contact

Number of changeovers: 2

Contact material: AgSnO₂

maximum switching voltage: 250V AC

maximum switching current: 4A

Drop-off time of switching element: approx. 20ms

Mechanical life: 30 Mio.

Electrical life (with rated load): 0.8 Mio.

General data

Ambient temperature: - 25 ... + 60°C

Climate resistance: VDE 0435T.2021

Mounting position: any

Vibration resistance: VDE 0435T.2021

Test voltage: 2.5kV

Isolation group: VDE 0110 Group C 250

Protection class: Terminals IP 20
 Housing IP 40

Connection terminals: Crosshead screws; M3.5 self-opening

Connection cross section: Multi-strand wire with wire sleeves 2 x 2.5mm²
 single-wire 2 x 2.5mm²

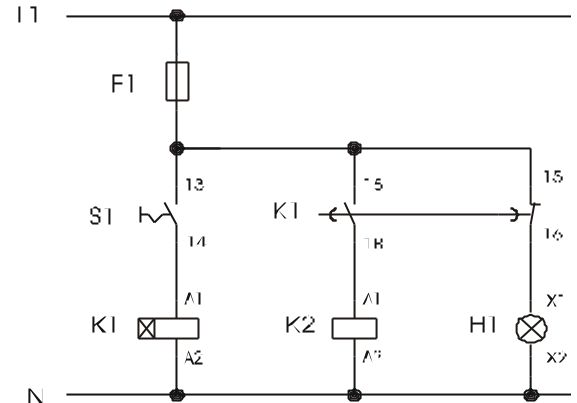
Finger touch protection: VDE 0106T.100 and VBG4

Mounting: Symmetrical rail DIN EN 50022

Dimensions l x w x h: 90mm x 17.5mm x 69.5mm

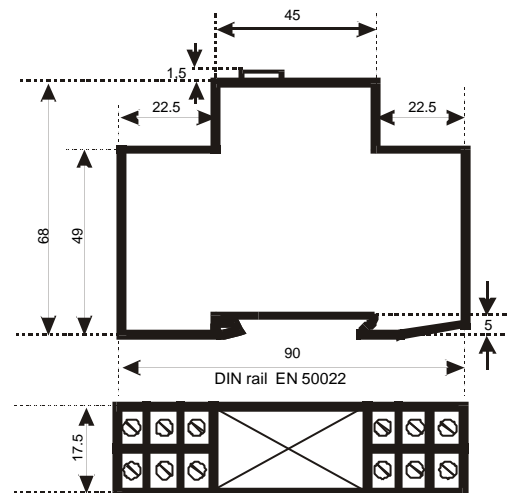
Weight: 66g

Example



When the contact S1 closes, K2 energizes after the selected delay time and the light H1 goes off.

Dimensions



Connections

The terminal assignment for the connections is located on the front panel of the relay. **Reading the front panel from top to bottom**, the connections are in the following order:

LED side	Right:	nc – 16 – A3
	Left:	18 – 15 – A1
Potentiometer side	Right:	nc – 25 – 28
	Left:	nc – A2 – 26